

# C10A

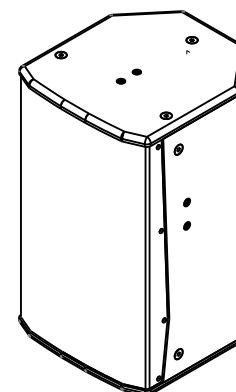
## Presentation:

The DUAL C10A is a trapezoidal-wedged shape multipurpose speaker for use in PA systems or as an on-stage monitor that features a 10" low frequency transducer of 2in VC capable of delivering excellent dynamic range, flat frequency response and a very low distortion figure which combined with 1" (1.73in VC) HF driver result in a superb sound and exceptional performance.

This C10A is prepared to be used as a stage monitor or as a pole mount speaker as the 90°x60° and 60°x90° CD horn can be rotated for vertical and horizontal operation in order to achieve the ideal sound dispersion.

As self-powered system, the C10A incorporates a 2-channel Class D amplifier and a DSP for real time operation according to different environments and music styles. With 4 user-defined presets than can be selected on the rear panel, the class D amplifier is prepared for 85-264Vac global mains voltage (SMPS with PFC) and features various electronic protections to guarantee the use of the speaker system in perfect sound and safe operation.

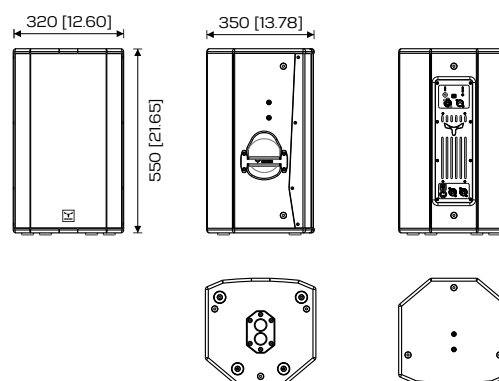
DUAL rugged enclosures are manufactured using 15mm birch plywood painted in hard-wearing and durable polyurea coating, being prepared to be used in flown configuration through 3x M8 inserts and in pole mount thanks to a Ø35mm socket with 0°/5° tilt. This range of Speakers offers exceptional performance making it the perfect professional solution for clubs, bands and DJs and anywhere there is a need for dependable high performance multipurpose loudspeakers.



**МУЗЦЕНТР**  
МУЗЫКАЛЬНОЕ ОБОРУДОВАНИЕ  
<https://muzcentre.ru>

## Features:

- Multipurpose 2-way active speaker
- Bass reflex trapezoidal enclosure
- 10" (2in VC) MF + 1" (1.73in VC) HF EU transducers
- 2-channel Class D amplifier with integrated DSP
- Universal 85-264Vac mains, SMPS with PFC
- User-rotatable CD horn 90°x60° for ideal dispersion
- Ø35mm pole mount with 0° and 5° tilt
- Integrated rigging system with 3x M10 inserts
- Rugged and durable 15mm birch plywood
- Powder coated custom perforated steel grille



Dimensions in mm [in]

## Technical specifications:

### Acoustical

Type	2-way passive multipurpose speaker
Enclosure design	Bass reflex, trapezoidal
Power rating (RMS/Peak)	360W / 900W
Frequency range	75 - 18kHz
Nominal impedance	8 ohm
Transducer type	1x 10" LF (2in VC) EU transducer 1x 1" HF (1.73in VC) EU transducer
Dispersion	CD horn, 90°x60° and 60°x90° user-rotatable
Crossover frequency	2000Hz
SPL (1W/1kHz)	125dB @ 1m

### Mechanical

Enclosure	15mm birch plywood, rugged polyurea coating
Grille	Custom perforated metal grilles w/ acoustic foam
Color	Black or white textured
Hardware	Ø35mm pole mount with 5° tilt 3x M10 flying points "U" bracket for horizontal and vertical installation
Dimensions	320x350x550mm   12.60x13.78x21.65in
Weight	20Kg   40.09lb

### Amplifier Module

Type	2-channel Class D
Output Power	800W + 400W (continuous)
Internal Processing	Fully programmable DSP 48kHz sampling frequency 24 bit AD/DA converter
Audio input/output	XLR/Jack combo connector XLR/M 3p
Indicators	Power, signal/preset, status, clip
Controls	Master level control, 4 selectable presets
AC Mains	SMPS with PFC, 85-264Vac universal mains
AC Mains connector	Neutrik® powerCON, Power-in/Power-out
Protections	Over current, short circuit, thermal, DC and HF

